

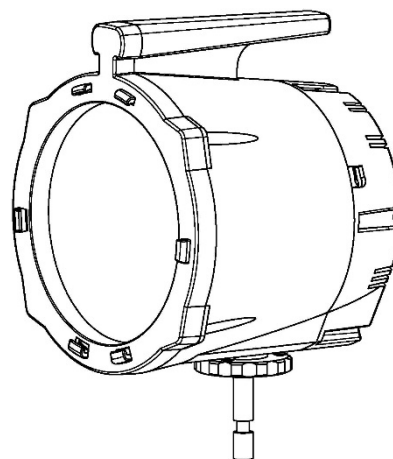
Photic Stimulator



Quick-start guide

The Photic Stimulator is a solid-state electronic device for generating short-duration flashes of white light. In EEG studies where epilepsy is typically being diagnosed, photic stimulation is used to assess the patient's photosensitivity.

- The User Manual, which will be found on the enclosed CD, must be read before operating the equipment. Free PDF reader software is available, if required, here: <https://get.adobe.com/uk/reader/>. The User Manual is available from Lifelines 'visitor' ftp site <ftp://ftp.llines.com> (UserName: llinesvisitor, Password: Trackit32EEG) and a hardcopy can be requested by using the email contact address below.
- If a mounting arm was supplied with the unit, please refer to the attached assembly instructions.
- The device is controlled from a host PC via a USB port. This PC which is not supplied by Lifelines, must be certified to IEC 60950-1 for safety reasons.
- The USB drivers will be found on the enclosed CD. After connecting the device to the host PC for the first time, at the Windows prompt, browse to the folder *CD Drive:\USB Drivers*. From there Windows will find the correct drivers for the version of Windows being used.
- The CD contains a stand-alone control program. Follow the instructions in the Readme file for installation instructions.



CAUTIONS & WARNINGS:

1. The Photic Stimulator must only be used by a healthcare professional, within a hospital or clinical setting, who has the training and knowledge to undertake EEG examinations and is familiar with EEG equipment and practice. This user manual must be read in its entirety before the equipment is used.
2. There is a small risk that photic stimulation can induce a seizure in photosensitive patients. For this reason photic stimulation should only be carried out with strict adherence to an approved photic stimulation protocol. The methods used in the protocol should maximize the probability of eliciting abnormal responses in patients with photosensitive epilepsy, while minimising the chances of inducing such a response in others or of precipitating a seizure during testing. Bystanders should be excluded from the treatment area.
3. **WARNING:** Do not modify this equipment without the authorization of the manufacturer.

